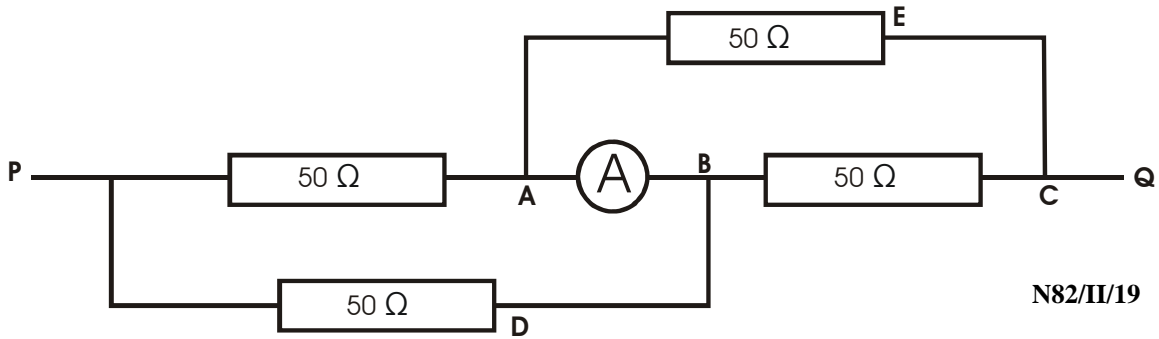


Problem solving



(a) Are 'A' and 'B' at the same potential? Justify your reasoning.

.....

(b) (i) Assuming that current 'I' flows past P. What current will flow along PA and PDB?

$I_{PA} = \dots\dots\dots$; $I_{PDB} = \dots\dots\dots$

(ii) When current I_{PA} flows along PA, what current will flow along AB and along AEC?

$I_{AB} = \dots\dots\dots$; $I_{AEC} = \dots\dots\dots$

(iii) When current I_{PDB} flows along PDB, what current will flow along BA and BC?

$I_{BA} = \dots\dots\dots$; $I_{BC} = \dots\dots\dots$

(iv) With reference to (ii) and (iii), what is the net flow of current in the ammeter?

$I_{net} = \dots\dots\dots$

(v) Does current flowing along path PAEC or PDBC affect the ammeter? Explain your answer.

.....

